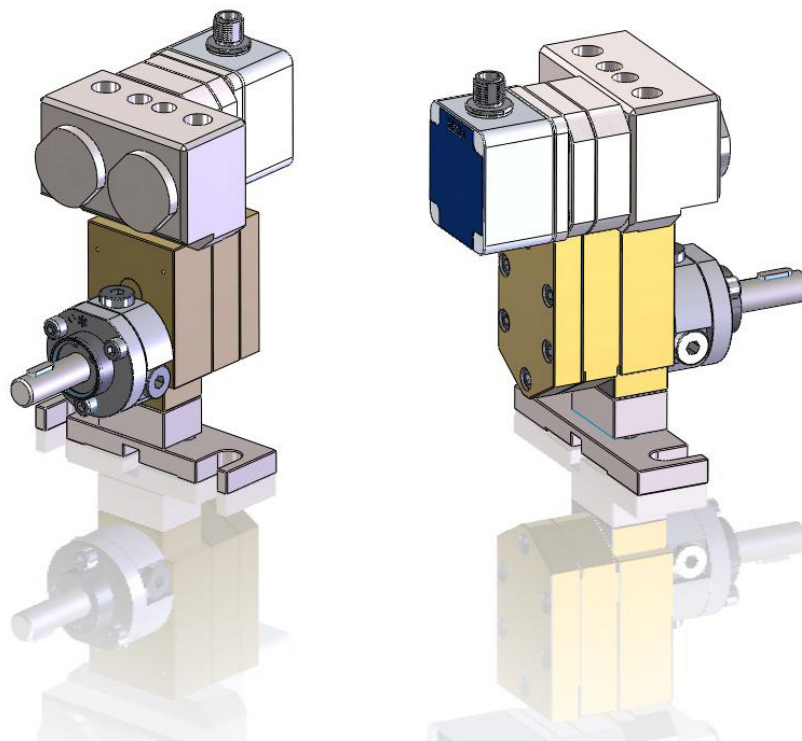


## Technical Datasheet



## Dispense Control Device



Küppers Elektromechanik GmbH  
www.kem-kueppers.com



www.pomtava.com

## Application

The DISPENSE CONTROL DEVICE (DCD) was developed in cooperation between KEM and the Swiss pump manufacturer POMPTAVA. The DCD contains a gear pump for dosing applications together with an integrated gear flow meter. The flow meter measures the total flow independently for automatic flow control.

The DCD is perfectly suited for systems with automatic, intelligent control. The independent control of the flow guarantees a safe operation of the production system.

The compact construction and the tight tolerances guarantee a high accuracy and reliability. The operating flow range of the DCD is 0.005 to 2 l/min with an accuracy of 0.5% of flow. DISPENSE CONTROL DEVICES for higher flow rates are available upon request.

## Applications

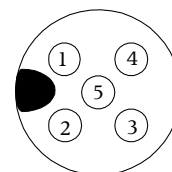
- fully automated systems
- **Dispense Control of**
- PU components
- Hardeners
- Paints
- Silicon
- Epoxy resins
- Adhesives

## Features

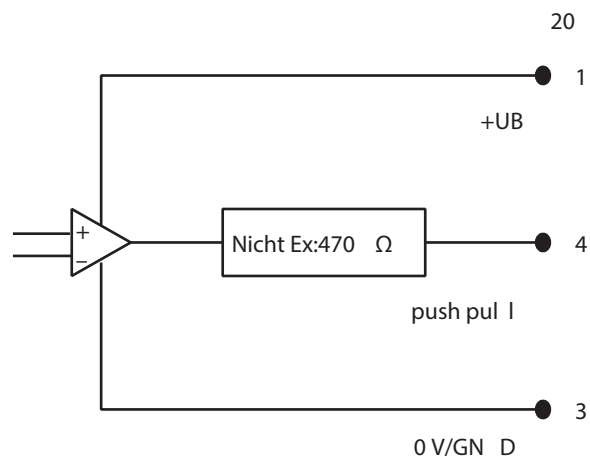
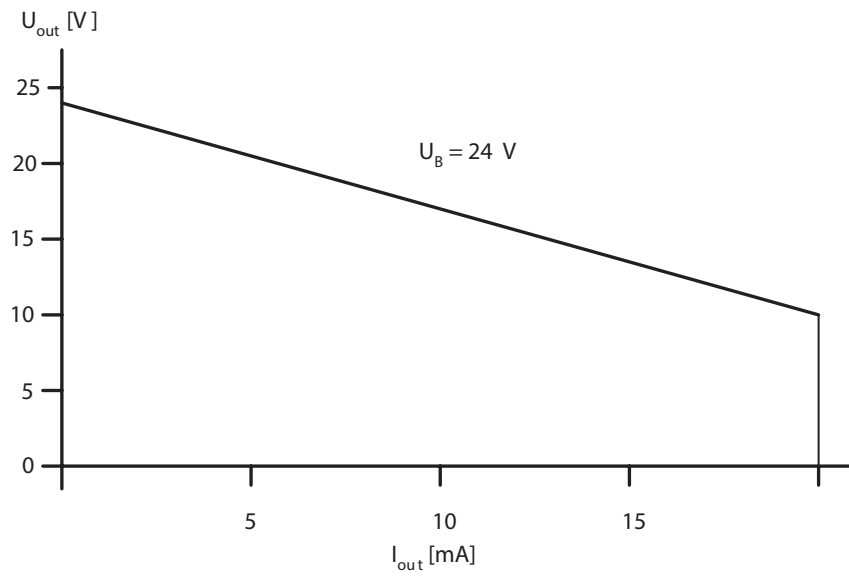
- Optimum flow
- Flushable
- High accuracy
- Low pressure drop
- Compact design
- Ex certified version available

## Technical Data

Specifications Metering Gear Pump	
Dispensing range:	0.005 up to 2 ltr/min
Viscosity range:	1 up to 10 <sup>6</sup> mPas
Sealing:	lip seal and liquid barrier
Rotation speed:	from 10min <sup>-1</sup> to 200min <sup>-1</sup> , depending on the product involved
Standard rotation:	clockwise (A)/counter clockwise (Z) or AZ
Allowable output pressure:	max. 100 bar
Input/Output:	2 bores Ø 6 mm on the pump body delivered with connecting block G1/4"
Driving shaft diameter:	Ø 12 mm with a 4 mm key, H = 40 mm or 51 mm
Weight:	approx. 2 up to 5 kg
Specifications Flow Meter	
Dispensing range:	0.005 up to 2 ltr/min
Accuracy:	±0.7% of actual flow
Repeatability:	0.1%
Pulse rate:	approx. 26,500 pulses/ltr
Operating pressure:	max. 100 bar
Electrical Data:	
Supply voltage U <sub>B</sub> :	+9 up to 29 VDC, regulated (incl. reverse-battery protection)
Quiescent current:	< 5 mA
Frequency range:	2 up to 4,000 Hz
Ambient temperature:	-40 up to +50 °C
Electrical connection:	5-pin flange plug M12 1 = +UB 2 = nc 3 = 0 V 4 = Push Pull, square wave signal 5 = nc



## Circuit and output characteristics



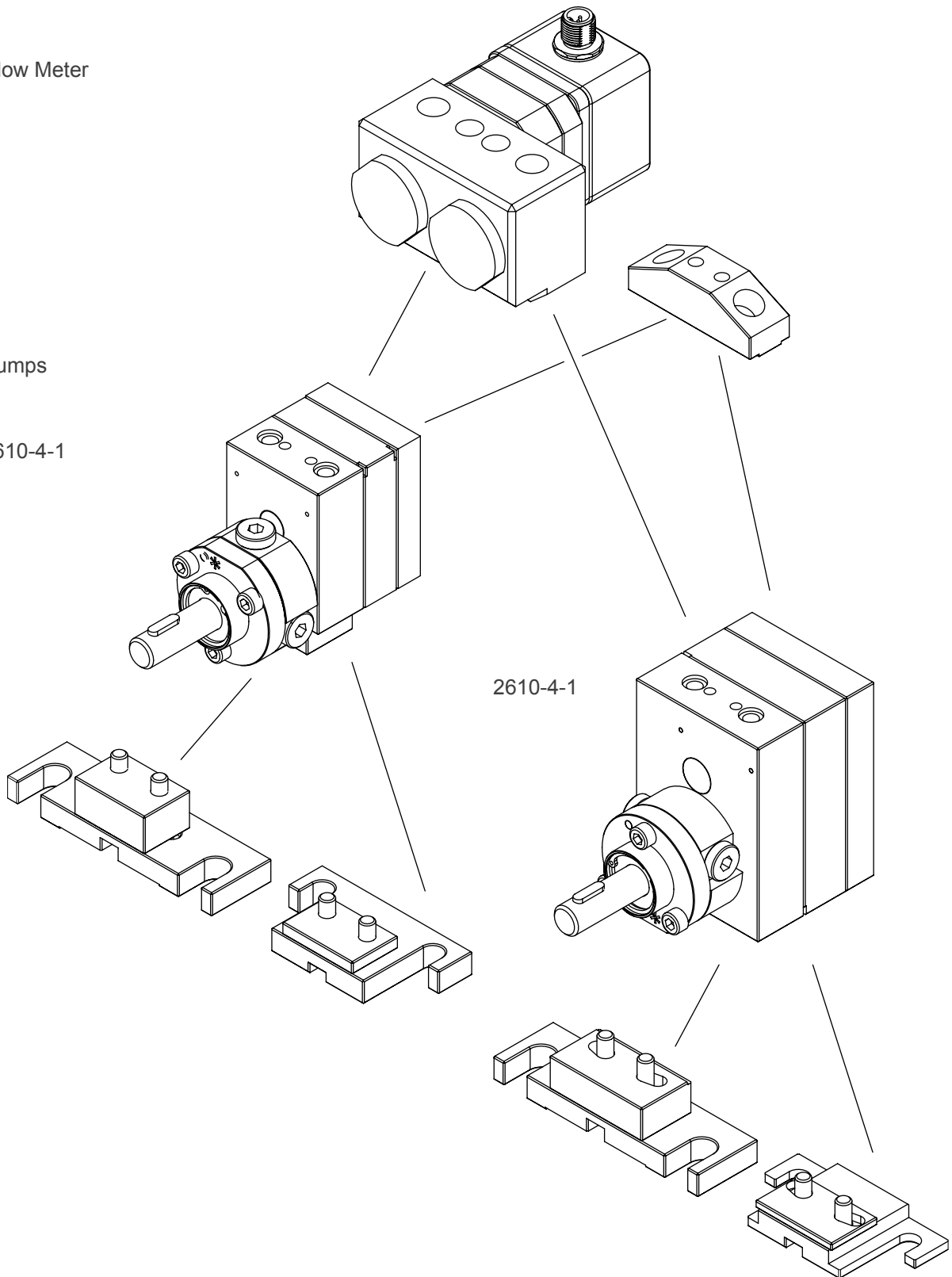
## Design

Flow Meter

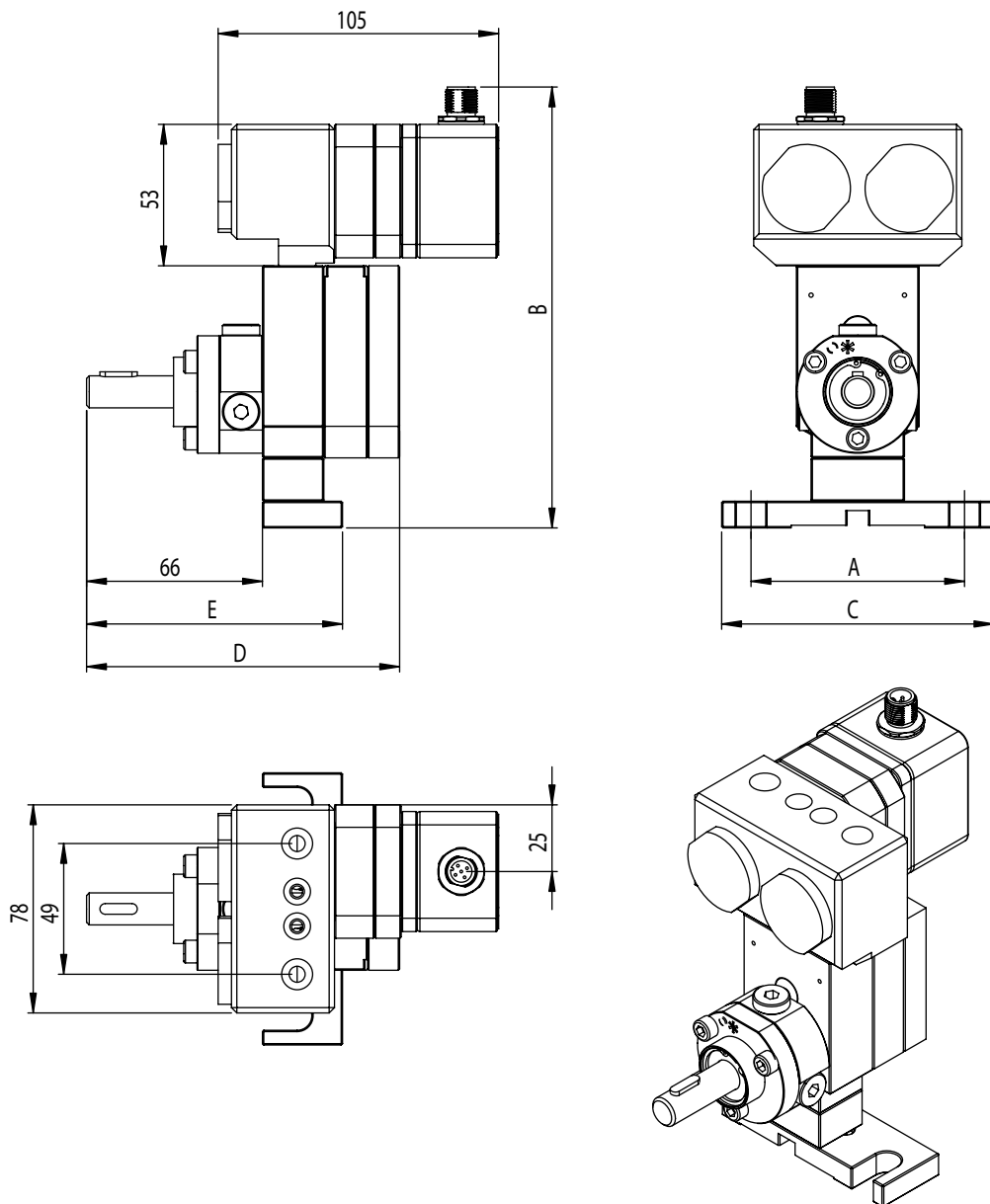
Pumps

1610-4-1

2610-4-1



## Dimensional Drawings (mm)



Typ	A	B	C	D	E
1610 H40	55	152	75	117	106
1610 H51	88	178	102	117	96
2610 H40	55	192	75	124	106
2610 H51	88	216	102	124	96

## KEM Headquarter

Liebigstraße 5  
85757 Karlsfeld  
Deutschland

T. +49 8131 59391-0  
F. +49 8131 92604

[info@kem-kueppers.com](mailto:info@kem-kueppers.com)

## KEM Service & Repairs

Wetzeller Straße 22  
93444 Bad Kötzting  
Deutschland

T. +49 9941 9423-0  
F. +49 9941 9423-23

[info@kem-kueppers.com](mailto:info@kem-kueppers.com)

*More distributors & partners can be found at:  
[www.kem-kueppers.com](http://www.kem-kueppers.com)*