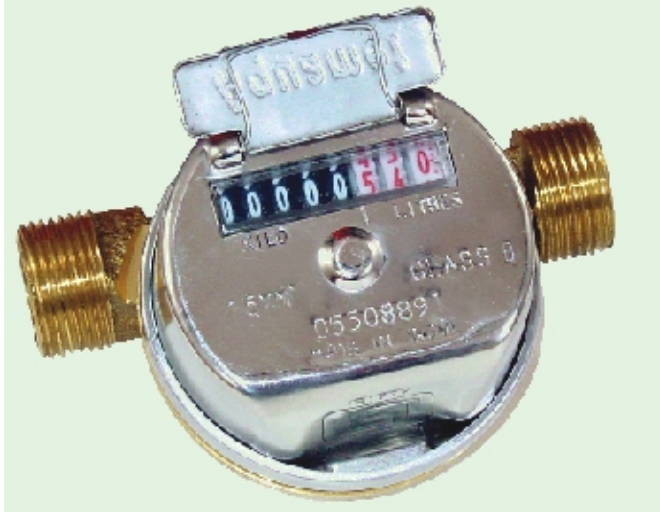


Water Meters



Single Jet Water Meters
(15 mm - 20mm)



Multi Jet Water Meters
(15 mm - 40mm)



Woltman Water Meters
(50 mm - 500mm)



Hot / Pulse Water Meters
(15 mm - 500mm)

Domestic Water Meters

Single Jet Class A & B, 15mm-20mm (1/2" - 3/4")



An inferential, single jet, super dry, straight reading type, hermetically sealed water meter with magnetic drive.

STANDARDS

Complies with class A&B of IS-779/94 also ISO & EEC.

CONSTRUCTION

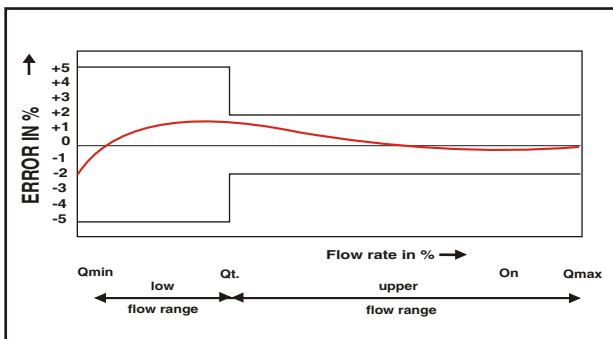
- Highly sensitive to low flow rates and very accurate over its entire flow range.
- Having low loss of head which allows water to reach upper floors.
- Sealed against tampering.
- Totaliser leakproof, totally dry.
- Long maintenance free life.
- Self lubricating gears & bearings.

METROLOGICAL CHARACTERISTICS:

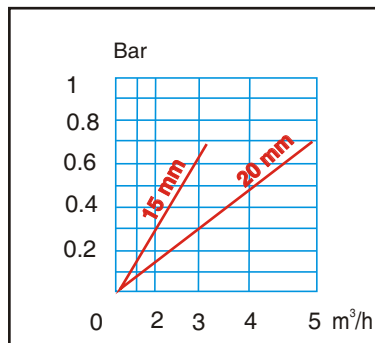
	Accurac	15mm		20mm		
		CL-A	CL-B	CL-A	CL-B	
Starts Registration at	l/h	-	16	14	20	18
Lower limit of flow, Q _{min}	l/h	±5%	60	30	100	50
Transitional flow Q _t	l/h	±2%	150	120	250	200
Nominal flow, Q _n	l/h	±2%	1500	1500	2500	2500
Maximum flow, Q _{max}	l/h	±2%	3000	3000	5000	5000
Test pressure	MPa	2				
Temperature suitability	°C	60°C				
Dial registration	kl	99999				
Smallest reading	l	0.2				

Description	15 mm	20 mm
Meter threads (A)	3/4" BSP	1" BSP
End connection threads (B)	1/2" BSP	3/4" BSP
Length of meter with couplings (L)	250 mm	290 mm
Length of meter without coupling (D)	110 mm	165 mm
Height (C)	72 mm	75 mm
Width (E)	72 mm	72 mm
Weight with couplings	780 gms	900 gms

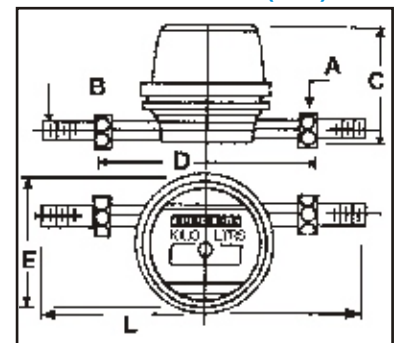
ACCURACY CURVE



HEAD LOSS CURVE



DIMENSIONS (MM)



Domestic Water Meters

Multi Jet Class B, 15mm - 40mm (1/2"-1 1/2")



An inferential, multijet, dry type water meter with magnetic drive and vacuum sealed register.

STANDARDS

Conforms to ISO 4064, Class-B.

FEATURES

- Highly sensitive to low flow rates and very accurate over its entire flow range.
- Low head loss.
- Vacuum sealed, leak proof and dry Totaliser.
- Self-lubricating gears
- Long maintenance free working life.
- **Remote reading facility/pulse output available on request.**
- Hot Version available upto 90°C

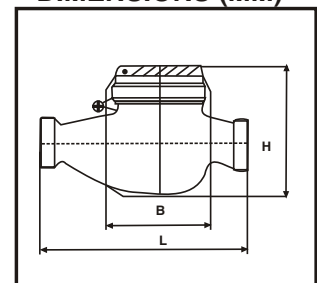
METROLOGICAL CHARACTERISTICS

	Accuracy	15mm	20mm	25mm	40mm
		CL-B	CL-B	CL-B	CL-B
Lower limit of flow, Qmin l/h	±5%	30	50	70	200
Transitional flow, Qt l/h	±2%	120	200	280	800
Nominal Flow, Qn l/h	±2%	1500	2500	3500	10000
Maximum Flow, Qmax l/h	±2%	3000	5000	7000	20000
Test pressure MPa		2			
Temperature suitability °C		50°C			
Dial Registration	KI	99999			
Smallest reading	lts.	0.05			0.5

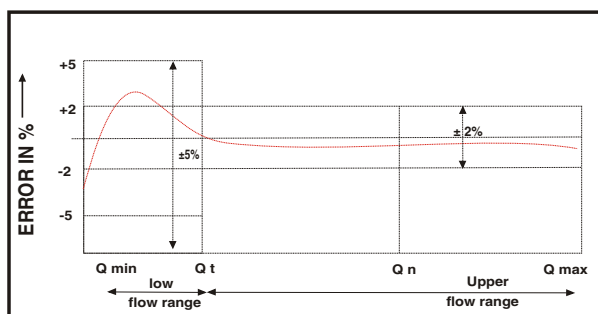
DIMENSIONS

DESCRIPTION	15mm	20mm	25mm	40mm
Meter Thread	3/4" BSP	1" BSP	1 1/4" BSP	2" BSP
End connection threads	1/2" BSP	3/4" BSP	1" BSP	1 1/2" BSP
Length of meter with coupling	250mm	290 mm	380 mm	430 mm
Length of meter without coupling L	165 mm	195 mm	225 mm	245 mm
Height H	110mm	113 mm	115 mm	155 mm
Width B	96mm	96 mm	100 mm	124 mm
Weight with coupling	1.49 kg.	1.80 kg.	2.10 kg.	5.50 kg.

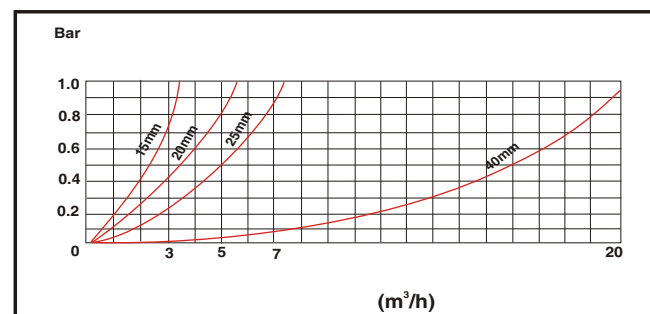
DIMENSIONS (MM)



ACCURACY CURVE



HEAD LOSS CURVE



Woltmann Water Meters

50mm - 500mm (2" - 20")



AQUA - W, WH, WP

A removable mechanism type Woltmann Water Meter with magnetic drive and vacuum sealed register.

STANDARDS

Conforms to ISO 4064, Class-B.

APPLICATION

Water Distribution Network
Industrial / Commercial Water Supply

FEATURES

- Leak proof and sealed totaliser
- Magnetic drive
- Repairable without interrupting water supply
- Removable mechanism ensures easy maintenance
- Totaliser protected by metallic cover.
- Reliable sensitive metrology and low pressure loss..

OPTIONS

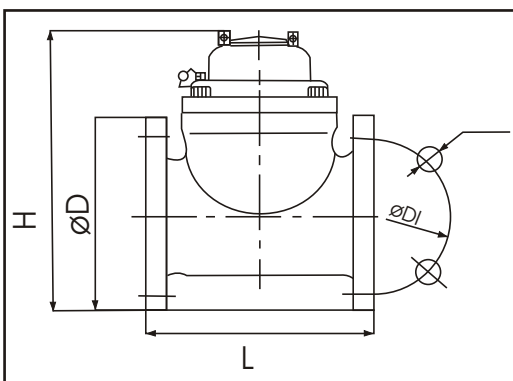
- Hot water meters (<90°C)
- Pulse output water meters.

METROLOGICAL PERFORMANCE:

Size of meter		Acc(%)	50 mm	80 mm	100mm	150mm	200mm	250mm	300mm	400mm	500mm
Minimum flow Q min	m ³ /h	±5	0.45	1.20	1.80	4.50	7.50	12.00	18.00	30.00	45.00
Transitional flow Qt	m ³ /h	±2	3	8	12	30	50	80	120	200	300
Nominal flow Qn	m ³ /h	±2	15	40	60	150	250	400	600	1000	1500
Maximum flow Q max	m ³ /h	±2	30	80	120	300	500	800	1200	2000	3000
Minimum Reading	m ³		0.0002	0.0002	0.0002	0.002	0.002	0.002	0.002	0.1	0.1
Maximum Reading	m ³		999999	999999	999999	9999999	9999999	99999999	99999999	99999999	99999999
Temperature Suitability	°C		50°C								
Working Pressure	Mpa		≤1.6 MPa								

DIMENSIONS

Size of meter	50 mm	80 mm	100 mm	150 mm	200 mm	250 mm	300 mm	400 mm	500 mm
Length (L) mm	200	225	250	300	350	450	500	600	800
Height (H) mm	232	252	262	325	352	470	492	631	740
Weight kg	10.6	15.4	18.6	31.6	46	94	114	199	340



FLANGE DETAILS

Size of meter	50 mm	80 mm	100 mm	150 mm	200 mm	250 mm	300 mm	400 mm	500 mm
Bolt Circle (øDI) mm	125	160	180	240	295	355	410	515	620
Dia of Flange hole	16	19	19	23	23	28	28	24	24
Number of Bolts	4	8	8	8	8	12	12	16	20
Flange outer dia (øD) mm	165	200	220	285	340	395	445	565	670